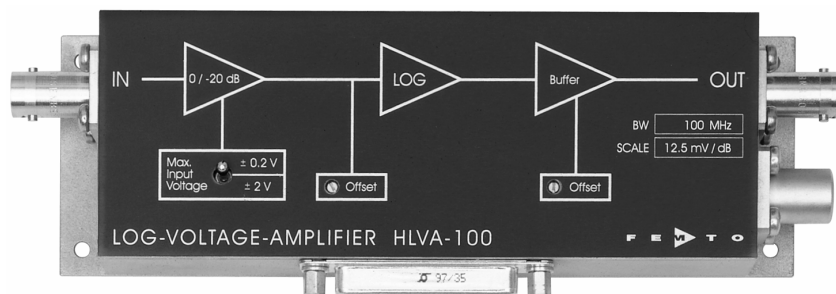
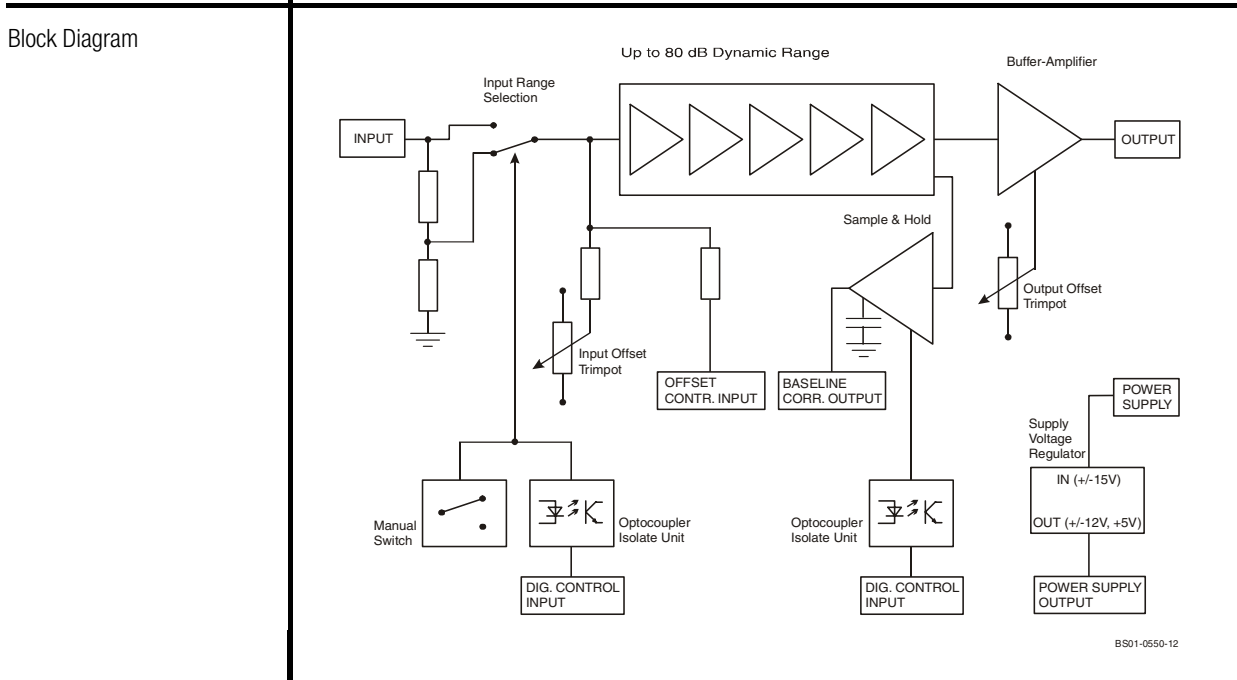


Logarithmic Voltage Amplifier



Features	<ul style="list-style-type: none"> • Wide Dynamic Range typ. 60 dB, max. 80 dB, • 5 ns Rise/Fall Time @ 40 dB step • Accuracy ± 1 dB @ pulse width of min. 20 ns • Switchable Input Range $\pm 20 \mu\text{V} \dots \pm 200 \text{ mV}$ or $\pm 200 \mu\text{V} \dots \pm 2 \text{ V}$ • DC coupled input • Local and Remote Control • Integrated Sample & Hold Baseline Correction
----------	--

	<ul style="list-style-type: none"> • LIDAR systems • Signal Compression, Pulse Measurements • Time-Resolved Pulse and Transient Measurements • Mass Spectroscopy • Particle Detection
--	---



Logarithmic Wideband Voltage Amplifier

Specifications	<i>Test Conditions</i>	<i>V_s = ± 15 V, T_a = 25°C, System Impedance = 50 Ω</i>
Dynamic Performance	Dynamic Range	typ. 60 dB (for accurate amplitude measurements) max. 80 dB (signal detection)
	Input Voltage Range	± 20 μV ... ± 200 mV / ± 200 μV ... ± 2 V switchable
	Scaling	12.5 mV/dB equals 250 mV/ decade (@ 50 Ω Load)
	Linearity	± 1 dB (for pulse of min. 20 ns pulse width)
Pulse Response	Rise/Fall time	5 ns @ 40 dB step
Input	Input Impedance	50 Ω
	Input Voltage Drift	0.6 μV/K
	Equivalent Input Voltage Noise	2 nV/√Hz
	Input BIAS Current	< 4 μA
	Input Offset Voltage	± 2.5 mV, adjustable by Offset-Trimpot and external Control Voltage
Output	Output Impedance	50 Ω
	Output Voltage Range	+50 ... +1075 mV typ. (@ 50 Ω Load) (if Output is adjusted to 1V at 100mV Input)
	Output Offset Voltage Range	± 500 mV, adjustable by Offset-Trimmer
Digital Control	Control Input Voltage Range	Low: - 0.8 ... + 0.8 V High: + 3 ... + 12 V, TTL / CMOS compatible
	Control Input Current	Low: 0 mA High: + 1.5 mA @ + 5 V (Input Range Control) + 7 mA @ + 5 V (Baseline Correction Control)
Baseline Correction	Acquisition Time	30 μs (min. sample pulse width)
	Baseline Hold Droop Rate	1 μV/s (typ. @ 25°C)
	Loop cut-off frequency	1.5 kHz
Ext. Offset Control	Control Voltage Range	± 10 V (for ± 2.5 mV Offset Control)
	Offset Control Input Impedance	100 kΩ
Power Supply	Supply Voltage	± 15 V
	Supply Current	+ 90 / -120 mA typ.
	Stabilized Power Supply Output	± 12 V / max. 100 mA, + 5 V / max. 50 mA
Case	Weight	320 gr. (0.74 lbs)
	Material	AlMg4.5Mn, nickel-plated
Temperature Range	Storage Temperature	- 40 ... + 100 °C
	Operating Temperature	0 ... + 60 °C

Absolute Maximum Ratings	Power Supply Voltage	± 20 V
	Signal Input Voltage	± 3 V @ ± 2 V Input Range Setting - 3 V / + 300 mV @ ± 200 mV Input Range Setting
	Digital Control Input Voltage	+ 16 V / - 5 V

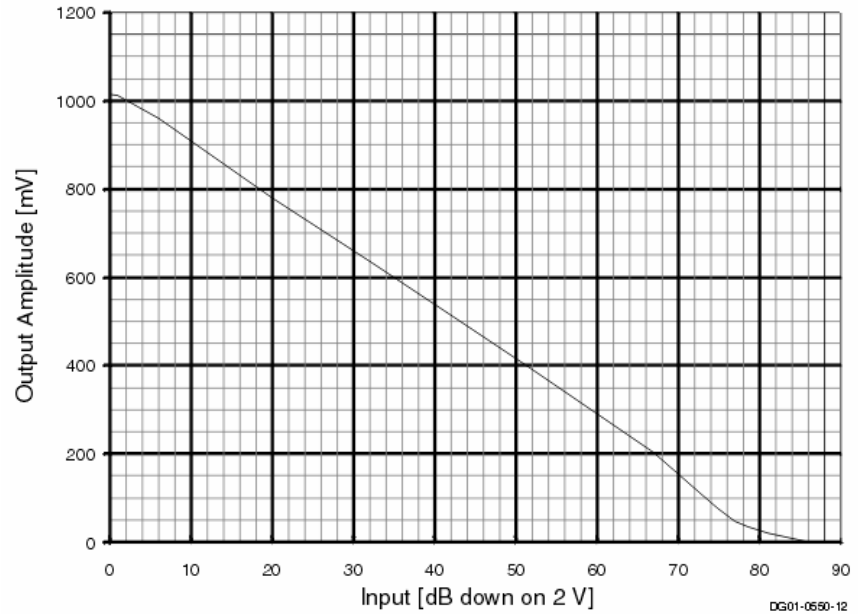
Logarithmic Wideband Voltage Amplifier

<p>Connectors</p>	<table border="0"> <tr> <td data-bbox="560 309 655 338">Input</td> <td data-bbox="874 309 919 338">BNC</td> </tr> <tr> <td data-bbox="560 367 655 396">Output</td> <td data-bbox="874 367 919 396">BNC</td> </tr> <tr> <td data-bbox="560 425 687 454">Power Supply</td> <td data-bbox="874 425 1201 539"> LEMO Series 1S, 3-pin fixed Socket Pin 1: + 15V Pin 2: - 15V Pin 3: GND </td> </tr> <tr> <td data-bbox="560 568 671 598">Control Port</td> <td data-bbox="874 568 1410 913"> Sub-D 25-pin, female, Qual. Class 2 Pin 1: +12V (Stabilized Power Supply Output) Pin 2: -12V (Stabilized Power Supply Output) Pin 3: AGND (Analog Ground) Pin 4: +5V (Stabilized Power Supply Output) Pin 5 - 6: NC Pin 7: Baseline Correction Output Pin 8: Offset Control Voltage Input Pin 9: DGND (Ground f. Digital Control Pin 10 - 25) Pin 10: Digital Control Input: Input Voltage Range Pin 11: Digital Control Input: Baseline Correction Pin 12 - 25: NC </td> </tr> </table>	Input	BNC	Output	BNC	Power Supply	LEMO Series 1S, 3-pin fixed Socket Pin 1: + 15V Pin 2: - 15V Pin 3: GND	Control Port	Sub-D 25-pin, female, Qual. Class 2 Pin 1: +12V (Stabilized Power Supply Output) Pin 2: -12V (Stabilized Power Supply Output) Pin 3: AGND (Analog Ground) Pin 4: +5V (Stabilized Power Supply Output) Pin 5 - 6: NC Pin 7: Baseline Correction Output Pin 8: Offset Control Voltage Input Pin 9: DGND (Ground f. Digital Control Pin 10 - 25) Pin 10: Digital Control Input: Input Voltage Range Pin 11: Digital Control Input: Baseline Correction Pin 12 - 25: NC												
Input	BNC																				
Output	BNC																				
Power Supply	LEMO Series 1S, 3-pin fixed Socket Pin 1: + 15V Pin 2: - 15V Pin 3: GND																				
Control Port	Sub-D 25-pin, female, Qual. Class 2 Pin 1: +12V (Stabilized Power Supply Output) Pin 2: -12V (Stabilized Power Supply Output) Pin 3: AGND (Analog Ground) Pin 4: +5V (Stabilized Power Supply Output) Pin 5 - 6: NC Pin 7: Baseline Correction Output Pin 8: Offset Control Voltage Input Pin 9: DGND (Ground f. Digital Control Pin 10 - 25) Pin 10: Digital Control Input: Input Voltage Range Pin 11: Digital Control Input: Baseline Correction Pin 12 - 25: NC																				
<p>Remote Control Operation</p>	<table border="0"> <tr> <td data-bbox="560 952 743 981">Input Range Setting</td> <td data-bbox="874 952 1406 1070"> Remote control input is opto-isolated and connected by logical OR to local switch setting. For remote control the switch setting, set the local switch to " ± 2 V " and select the wanted setting via a bit-code at the digital input. </td> </tr> <tr> <td></td> <td data-bbox="874 1099 1070 1227"> <table border="0"> <tr> <td>Input Range</td> <td>Pin 10</td> </tr> <tr> <td>± 2 V</td> <td>Low</td> </tr> <tr> <td>± 200 mV</td> <td>High</td> </tr> </table> </td> </tr> <tr> <td data-bbox="560 1256 738 1285">Baseline Correction</td> <td data-bbox="874 1256 1366 1375"> The integrated auto-null function can be performed by remote digital control only. The input is opto-isolated by a ultra-fast opto-coupler. Please note the min. pulse width. </td> </tr> <tr> <td></td> <td data-bbox="874 1404 1182 1532"> <table border="0"> <tr> <td>Function</td> <td>Pin 11</td> </tr> <tr> <td>Hold previous value</td> <td>Low</td> </tr> <tr> <td>Null Output</td> <td>High</td> </tr> </table> </td> </tr> </table>	Input Range Setting	Remote control input is opto-isolated and connected by logical OR to local switch setting. For remote control the switch setting, set the local switch to " ± 2 V " and select the wanted setting via a bit-code at the digital input.		<table border="0"> <tr> <td>Input Range</td> <td>Pin 10</td> </tr> <tr> <td>± 2 V</td> <td>Low</td> </tr> <tr> <td>± 200 mV</td> <td>High</td> </tr> </table>	Input Range	Pin 10	± 2 V	Low	± 200 mV	High	Baseline Correction	The integrated auto-null function can be performed by remote digital control only. The input is opto-isolated by a ultra-fast opto-coupler. Please note the min. pulse width.		<table border="0"> <tr> <td>Function</td> <td>Pin 11</td> </tr> <tr> <td>Hold previous value</td> <td>Low</td> </tr> <tr> <td>Null Output</td> <td>High</td> </tr> </table>	Function	Pin 11	Hold previous value	Low	Null Output	High
Input Range Setting	Remote control input is opto-isolated and connected by logical OR to local switch setting. For remote control the switch setting, set the local switch to " ± 2 V " and select the wanted setting via a bit-code at the digital input.																				
	<table border="0"> <tr> <td>Input Range</td> <td>Pin 10</td> </tr> <tr> <td>± 2 V</td> <td>Low</td> </tr> <tr> <td>± 200 mV</td> <td>High</td> </tr> </table>	Input Range	Pin 10	± 2 V	Low	± 200 mV	High														
Input Range	Pin 10																				
± 2 V	Low																				
± 200 mV	High																				
Baseline Correction	The integrated auto-null function can be performed by remote digital control only. The input is opto-isolated by a ultra-fast opto-coupler. Please note the min. pulse width.																				
	<table border="0"> <tr> <td>Function</td> <td>Pin 11</td> </tr> <tr> <td>Hold previous value</td> <td>Low</td> </tr> <tr> <td>Null Output</td> <td>High</td> </tr> </table>	Function	Pin 11	Hold previous value	Low	Null Output	High														
Function	Pin 11																				
Hold previous value	Low																				
Null Output	High																				

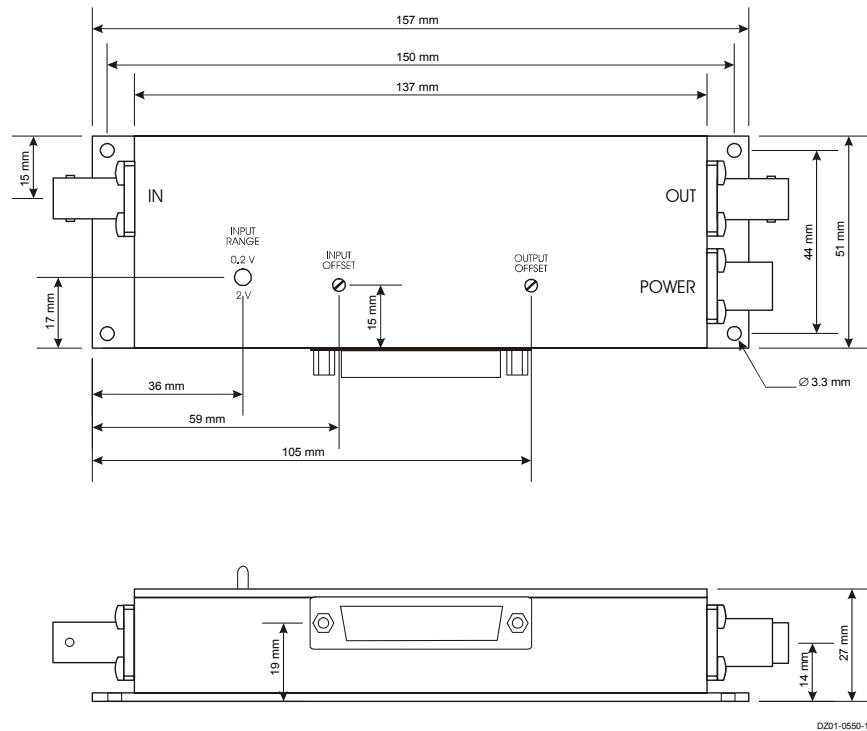
Logarithmic Wideband Voltage Amplifier

Typical Performance Characteristics

Logarithmic Response (@ ± 2 V Input Range Setting)



Dimensions



FEMTO Messtechnik GmbH
 Klosterstr. 64
 D-10179 Berlin · Germany
 Tel.: +49-(0)30-280 4711-0
 Fax: +49-(0)30-280 4711-11
 e-mail: info@femto.de
 http://www.femto.de

Specifications are subject to change without notice. Information furnished herein is believed to be accurate and reliable. However, no responsibility is assumed by FEMTO Messtechnik GmbH for its use, nor for any infringement of patents or other rights granted by implication or otherwise under any patent rights of FEMTO Messtechnik GmbH. Product names mentioned may also be trademarks used here for identification purposes only.
 © by FEMTO Messtechnik GmbH
 Printed in Germany