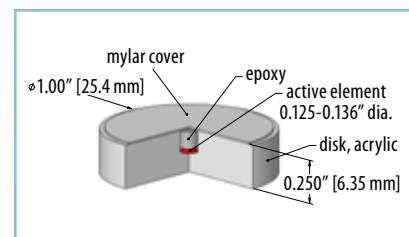


Spot Markers (SM-057) (SS&DR No. CA0406S106S)

EZIP's Spot Markers are used for patient orientation during SPECT studies. A 0.136" (3.45 mm) diameter active area is marked with purple epoxy and centered in a 1" x 0.250" (25.4 mm x 6.35 mm) clear acrylic disk. Contained activity is supplied as a nominal value $\pm 15\%$.

Model Number	Nuclide	Activity (μCi)	Activity (MBq)
SM-057-25U	Co-57	25	0.925
SM-057-50U	Co-57	50	1.85
SM-057-100U	Co-57	100	3.7
SM-057-200U	Co-57	200	7.4

Other activities and nuclides are available upon request.



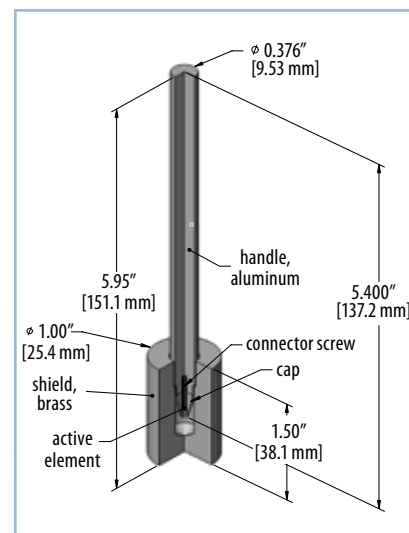
Spot Marker

Pen Point Markers (PP-057) (SS&DR No. CA0406S173S)

The EZIP Pen Point Marker is used to mark a point or region of interest during SPECT studies. The Pen Point Marker contains Co-57 in a resin matrix at the end of a 5.4" (13.7 cm) anodized aluminum rod. The pen-shaped rod screws into a brass cap which shields the active point. The Pen Point Marker is used in tracing the outlines of anatomical features on a patient. The trace appears almost instantly on the image display. Contained activity is supplied as a nominal value $\pm 15\%$.

Model Number	Nuclide	Activity (μCi)	Activity (MBq)
PP-057-100U	Co-57	100	3.7
PP-057-200U	Co-57	200	7.4

Other activities are available upon request.



Pen Point Marker

